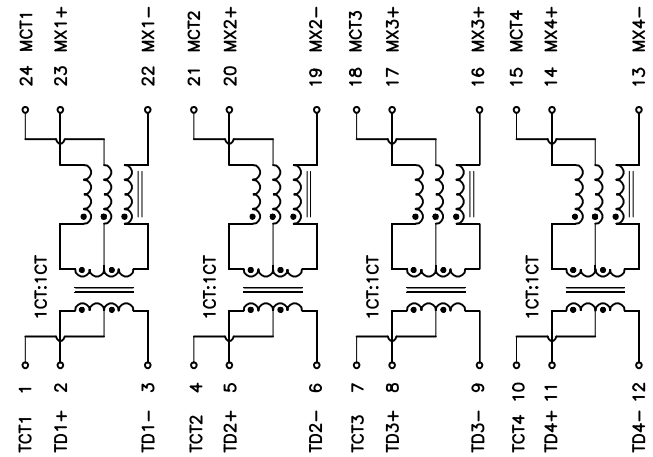


SUGGESTED PAD LAYOUT



* RoHS COMPLIANT

ELECTRICAL CHARACTERISTICS @25°C :

- INSULATION HI-POT : 1500 Vrms/1mA ,60Sec.
- TURN RATIO (±5%) : 1CT : 1CT
- OCL : : (@100kHz, 0.1Vrms) : 120uH MIN.
- CROSS TALK (dB MIN.) : 1-100MHz 100-500MHz
-40 -30
- INSERTION LOSS : 100kHz 1-500MHz
-3.0dB MAX. -1.0dB MAX.
- RETURN LOSS : 2-100MHz 100-500MHz
-25dB MIN -11+17*log(f/400)dB MIN
- DIFFERENTIAL TO COMMON MODE REJECTION (dB MIN.) :
1-250MHz 250-500MHz
-30 -22
- OPERATING TEMPERATURE RANGE : 0°C~+70°C
- STORAGE TEMPERATURE : -50°C~+125°C

UNLESS OTHERWISE SPECIFIED ALL TOLERANCES ARE ±0.25mm

							TITLE 10G BASE-T TRANSFORMER	
							DWG. NO. ATPL-482R	
RELEASE		10/01/2018	SHIRLEY	BETTY	BETTY	UNITS: M/M	SAFETY	
NO:	DESCRIPTION	DATE	BY	CHK	APPD	DATE 10/01/18	P/N:	SHEET 1 OF 1
REVISIONS						DRAW		SHIRLEY